

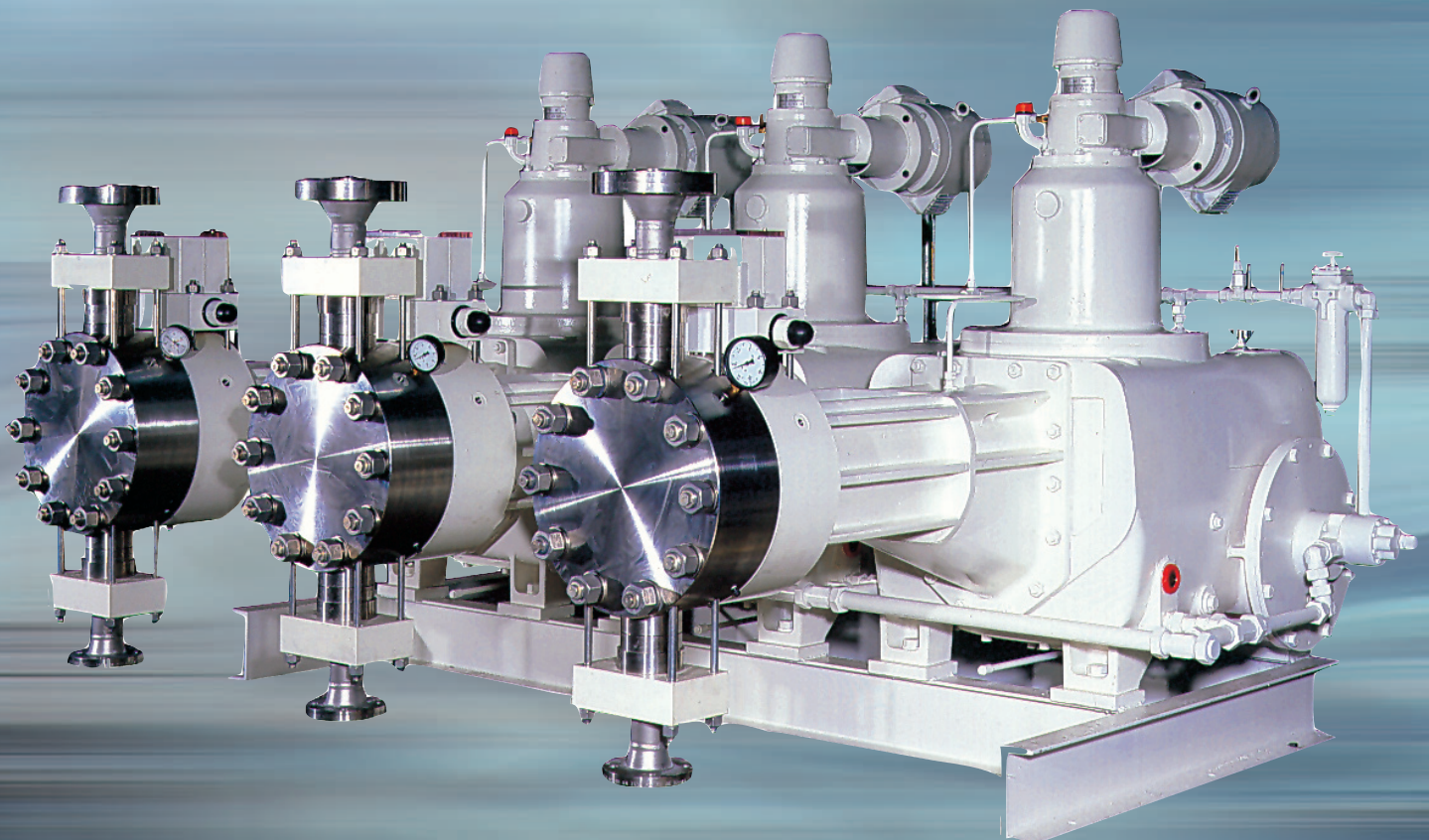
- Flow rates up to 3,900 gph
- Pressure up to 15,000 psi

Options

- Diaphragm pumpheads with hydraulically actuated double diaphragm and patented diaphragm position control system (PDPC)
- Plunger pumpheads

Combinable with all gear sizes of
Bran+Luebbe's horizontal NOVADOS range

NOVADOS BS Metering Pumps



General Specifications

Materials of construction of liquid-wetted parts

- Housing of stainless steel, 316 or duplex ss.
- Diaphragms of PTFE or stainless steel 1.4310.
- Plungers of stainless steel, ceramic or tungsten carbide.
- Options: Materials such as Super Duplex, Hastelloy, Titanium, Halar® coating and others available.

Pump Gear Design

- Worm gear with four different reduction ratios.
- Forced feed/splash lubricated gear components.
- Large oil sump.
- Suitable for variable speed.

Stroke Length Adjustment

- Eccentric (Z-shape) variable crankshaft.

Flow Rate Control

- Manually or pneumatically during operation and standstill.

Driver

- 4-, 6- or 8-pole electric motor with fixed or variable speed.

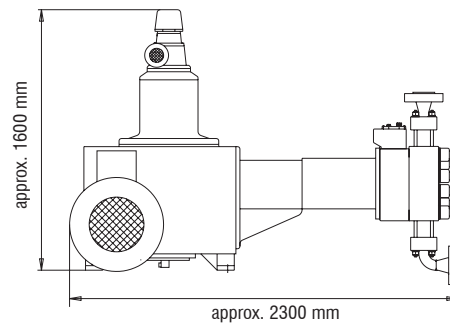
Applicable Standards

- VDMA 24284 and 24286-10.
- API 675 2nd edition.

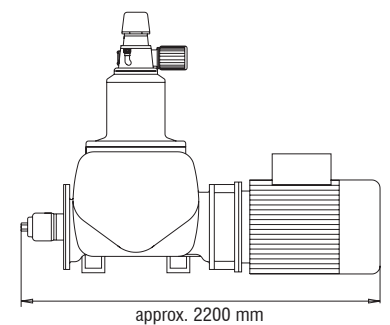
CE-Marking

- 98/37/EC (Machinery Directive).
- 94/9/EC (ATEX) up to category 2.

Weight, according to equipment (without motor) approx. 4,620 - 5,720 lbs.



Diaphragm



Plunger

Flow Rate and Pressure for Single Pump

Pumphead Type

Material of displacement body	PTFE	St. Steel	TC, Ceramic or St. Steel
Housing Material	St. Steel / Plastic	St. Steel	St. Steel or Plastic
Flow rate at 199 spm	Plunger Size		Max. Operating Pressure
gph	ø mm		psig
0... 262	30	-	10,150
0... 514	42	5,800	10,150
0... 728	50	5,800	-
0... 914	56	5,800	-
0... 912 ¹	62	5,076	-
0... 1,334 ¹	75	3,626	-
0... 1,921 ¹	90	2,321	-
0... 2,372 ¹	100	1,815	-
0... 3,477 ²	125	1,160	-

1) Stroking speed 162 min⁻¹. 2) Stroking speed 152 min⁻¹.

- Flow rates at 98% volumetric efficiency. Please allow for transmission losses.
- Metering accuracy: as good as ±0.5% of flow rate set point.
- Selectable stroking speeds: (60 Hz): 64, 84, 116, 129, 152, 162, 199 spm (min⁻¹).

For more information about our worldwide locations, approvals, certifications, and local representatives, please visit our web site.

Web Site: www.spxprocessequipment.com • E-Mail: bl@processequipment.spx.com

SPX Process Equipment

Bran+Luebbe, 611 Sugar Creek Road, Delavan, WI 53115 Telephone: (800) 252-5200, (262) 728-1900 Fax: (262) 728-4904

SPX Process Equipment reserves the right to incorporate our latest design and material changes without notice or obligation.

Design features, materials of construction and dimensional data, as described in this bulletin, are provided for your information only and should not be relied upon unless confirmed in writing. Certified drawings are available upon request.

Issued: B-112-L-11/06

© 2006 SPX Process Equipment