

SPX FLOW TECHNOLOGY  
NORDERSTEDT GMBH  
WERKSTRASSE 4, D-22844 NORDERSTEDT  
P.O. BOX 1360, D-22803 NORDERSTEDT  
GERMANY

TEL |+49 | 40 522 02 0  
FAX |+49 | 40 522 02 444

branluebbe@spx.com

[www.spxft.com](http://www.spxft.com)

## QUOTATION

We appreciate your inquiry and quote according to the General Terms and Conditions of Sale 05 recallable until confirmation of order:

**Metering Pump Type *ProCam Smart DS500/72*      EUR 811,--**  
Technical Specification acc. to page 2

<b>Conditions of sale:</b>	ex works without packing, tax or duties or transport insurance. Extra price for CIF Job site within Germany/Austria/Switzerland: EUR 65,--.
<b>Terms of payment:</b>	30 days net cash after invoice date.
<b>Validity:</b>	These prices are valid for orders received before the 31st. December 2012.
<b>Delivery time ex works Norderstedt:</b>	2 Weeks a.r.o.
	Country of origin:                      Germany Customs Tariff Number:              84.13.50 40
<b>Warranty:</b>	According to item 5 of the "General Terms and Conditions of Sale 05" 24 months after delivery.
<b>Operating manuals:</b>	The price includes 1 copy.

SPX Flow Technology Norderstedt GmbH  
Sales Bran+Luebbe Pumps & Systems

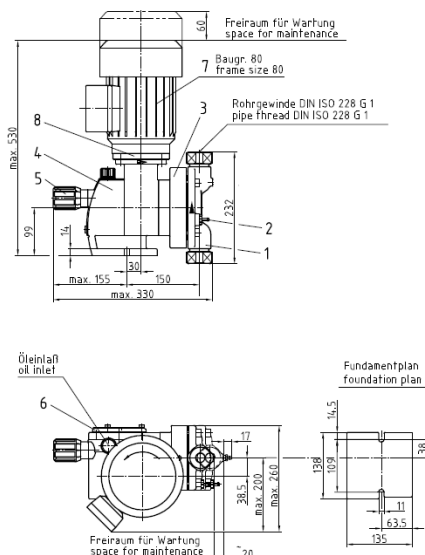
## Technical Specification:

Type / Stroke speed [1/min]	Flowrate [l/h]	max. Pressure [bar]	Connections [female thread ISO228]	Motor [kW / V / Hz]	Idt.Nr
DS500/50	175	6	G 1	0,75 / 400 / 50 / IP55	440246
<b>DS500/72</b>	<b>250</b>	<b>6</b>	<b>G 1</b>	<b>0,75 / 400 / 50 / IP55</b>	<b>440245</b>
DS500/100	350	6	G 1	0,75 / 400 / 50 / IP55	440244
DS500/144	500	6	G 1	0,75 / 400 / 50 / IP55	440243

## The Pump is suitable for the following Operation Parameters:

Pumping Fluid:	must be compatible with SS 1.4571/1.4581 and PTFE
Viscosity:	max. 500 mPas
Specific Gravity:	1 to 2 g/cm <sup>3</sup>
Medium Temperature Range:	0°C to +80°C
Ambient Temperature Range:	0°C to +40°C

## Dimensions:



ProCam Smart DS 500

1-Pump Head / 2-Diaphragm Condition Monitoring / 3- Pump Yoke / 4- Gear Box / 5-Vernier Scale Stroke Adjuster / 6- Cover / 7-Motor / 8-Motor Adaptor Flange

**Paint Work:** Yellow-Green (RAL 6018)