

SPX FLOW TECHNOLOGY  
NORDERSTEDT GMBH  
WERKSTRASSE 4, D-22844 NORDERSTEDT  
P.O. BOX 1360, D-22803 NORDERSTEDT  
GERMANY  
TEL |+49 | 40 522 02 0  
FAX |+49 | 40 522 02 444

[branluebbe@spx.com](mailto:branluebbe@spx.com)

[www.spxft.com](http://www.spxft.com)

## QUOTATION

We appreciate your inquiry and quote according to the General Terms and Conditions of Sale 05 recallable until confirmation of order:

**Metering Pump Type *ProCam Smart DS50/144*      EUR 669,--**  
Technical Specification acc. to page 2

**Conditions of sale:** ex works without packing, tax or duties or transport insurance.  
Extra price for CIF Job site within Germany/Austria/Switzerland: EUR 65,--.

**Terms of payment:** 30 days net cash after invoice date.

**Validity:** These prices are valid for orders received before the 31st. December 2012.

**Delivery time ex works Norderstedt:** 2 Weeks a.r.o.

Country of origin: Germany  
Customs Tariff Number: 84.13.50 40

**Warranty:** According to item 5 of the "General Terms and Conditions of Sale 05" 24 months after delivery.

**Operating manuals:** The price includes 1 copy.

SPX Flow Technology Norderstedt GmbH  
Sales Bran+Luebbe Pumps & Systems

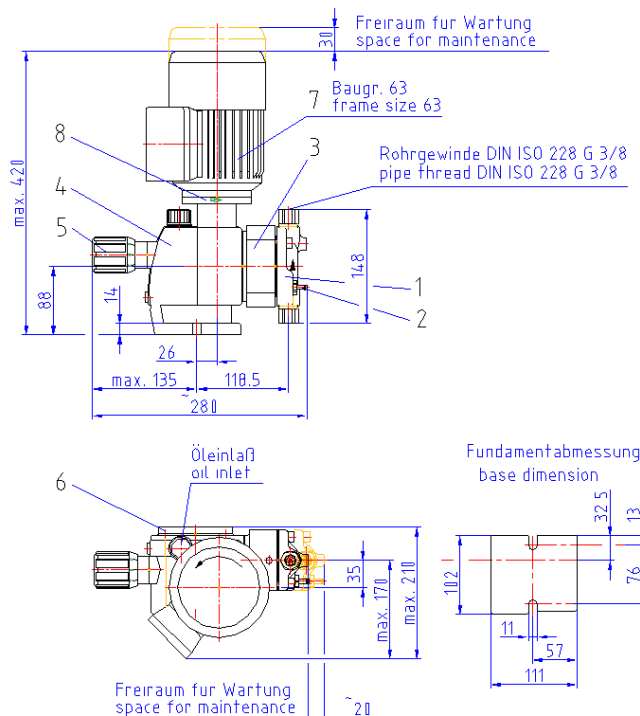
### Technical Specification:

| Type / Stroke speed<br>[1/min] | Flowrate<br>[l/h] | max. Pressure<br>[bar] | Connections<br>[female thread ISO228] | Motor<br>[kW / V / Hz]        | Idt.Nr        |
|--------------------------------|-------------------|------------------------|---------------------------------------|-------------------------------|---------------|
| DS50/50                        | 17,5              | 10                     | G 3/8                                 | 0,18 / 400 / 50 / IP55        | 440238        |
| DS50/72                        | 25                | 10                     | G 3/8                                 | 0,18 / 400 / 50 / IP55        | 440237        |
| DS50/100                       | 35                | 10                     | G 3/8                                 | 0,18 / 400 / 50 / IP55        | 440236        |
| <b>DS50/144</b>                | <b>50</b>         | <b>10</b>              | <b>G 3/8</b>                          | <b>0,18 / 400 / 50 / IP55</b> | <b>440235</b> |

### The Pump is suitable for the following Operation Parameters:

Pumping Fluid: must be compatible with SS 1.4571/1.4581 and PTFE  
 Viscosity: max. 500 mPas  
 Specific Gravity: 1 to 2 g/cm<sup>3</sup>  
 Medium-Temperature Range: 0°C to +80°C  
 Ambient Temperature Range: 0°C to +40°C

### Dimensions:



ProCam Smart DS 50

1-Pump Head / 2-Diaphragm Condition Monitoring / 3- Pump Yoke / 4- Gear Box / 5-Vernier Scale Stroke Adjuster / 6- Cover / 7-Motor / 8-Motor Adaptor Flange

**Paint Work:** Yellow-Green (RAL 6018)