

SPX FLOW TECHNOLOGY  
NORDERSTEDT GMBH  
WERKSTRASSE 4, D-22844 NORDERSTEDT  
P.O. BOX 1360, D-22803 NORDERSTEDT  
GERMANY  
TEL |+49 | 40 522 02 0  
FAX |+49 | 40 522 02 444

[branluebbe@spx.com](mailto:branluebbe@spx.com)

[www.spxft.com](http://www.spxft.com)

## QUOTATION

We appreciate your inquiry and quote according to the General Terms and Conditions of Sale 05 recallable until confirmation of order:

**Metering Pump Type *ProCam Smart DS200/144*      EUR 740,--**  
Technical Specification acc. to page 2

**Conditions of sale:** ex works without packing, tax or duties or transport insurance.  
Extra price for CIF Job site within Germany/Austria/Switzerland: EUR 65,--.

**Terms of payment:** 30 days net cash after invoice date.

**Validity:** These prices are valid for orders received before the 31st. December 2012.

**Delivery time ex works Norderstedt:** 2 Weeks a.r.o.

Country of origin: Germany  
Customs Tariff Number: 84.13.50 40

**Warranty:** According to item 5 of the "General Terms and Conditions of Sale 05" 24 months after delivery.

**Operating manuals:** The price includes 1 copy.

SPX Flow Technology Norderstedt GmbH  
Sales Bran+Luebbe Pumps & Systems

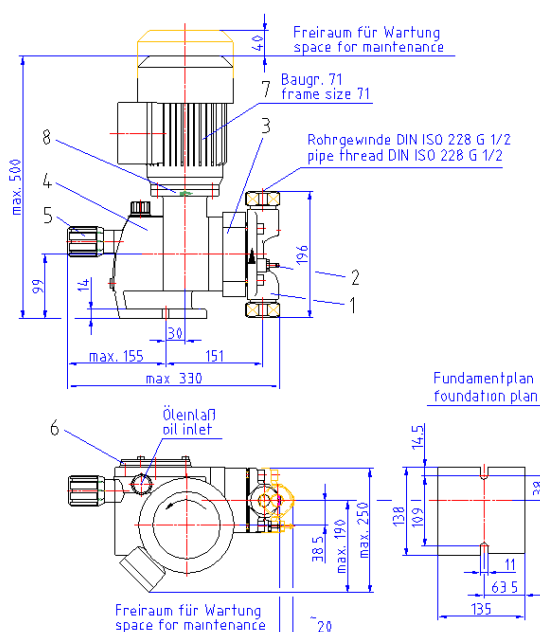
## Technical Specification:

Type / Stroke speed [1/min]	Flowrate [l/h]	max. Pressure [bar]	Connections [female thread ISO228]	Motor [kW / V / Hz]	Idt.Nr
DS200/50	70	10	G 1/2	0,55 / 400 / 50 / IP55	440242
DS200/72	100	10	G 1/2	0,55 / 400 / 50 / IP55	440241
DS200/100	140	10	G 1/2	0,55 / 400 / 50 / IP55	440240
<b>DS200/144</b>	<b>200</b>	<b>10</b>	<b>G 1/2</b>	<b>0,55 / 400 / 50 / IP55</b>	<b>440239</b>

## The Pump is suitable for the following Operation Parameters:

Pumping Fluid:	must be compatible with SS 1.4571/1.4581 and PTFE
Viscosity:	max. 500 mPas
Specific Gravity:	1 to 2 g/cm <sup>3</sup>
Medium-Temperature Range:	0°C to +80°C
Ambient Temperature:	0°C to +40°C

## Dimensions:



ProCam Smart DS 200

1-Pump Head / 2-Diaphragm Condition Monitoring / 3- Pump Yoke / 4- Gear Box / 5-Vernier Scale Stroke Adjuster / 6- Cover / 7-Motor / 8-Motor Adaptor Flange

**Paint Work:** Yellow-Green (RAL 6018)